




BIB-COCK WITH HOSE CONNECTOR FULL BORE - ARNO[®] SERIES

CT3255.0_02
EN
October 2018

PRODUCTION RANGE

LEVER ADJUSTMENT

	Code	3255 12NI	3255 34NI	3255 10NI
	Size	1/2"	3/4"	1"
	PN [bar]	30		

BUTTERFLY ADJUSTMENT

	Code	3256 12NI	3256 34NI	3256 10NI
	Size	1/2"	3/4"	1"
	PN [bar]	30		

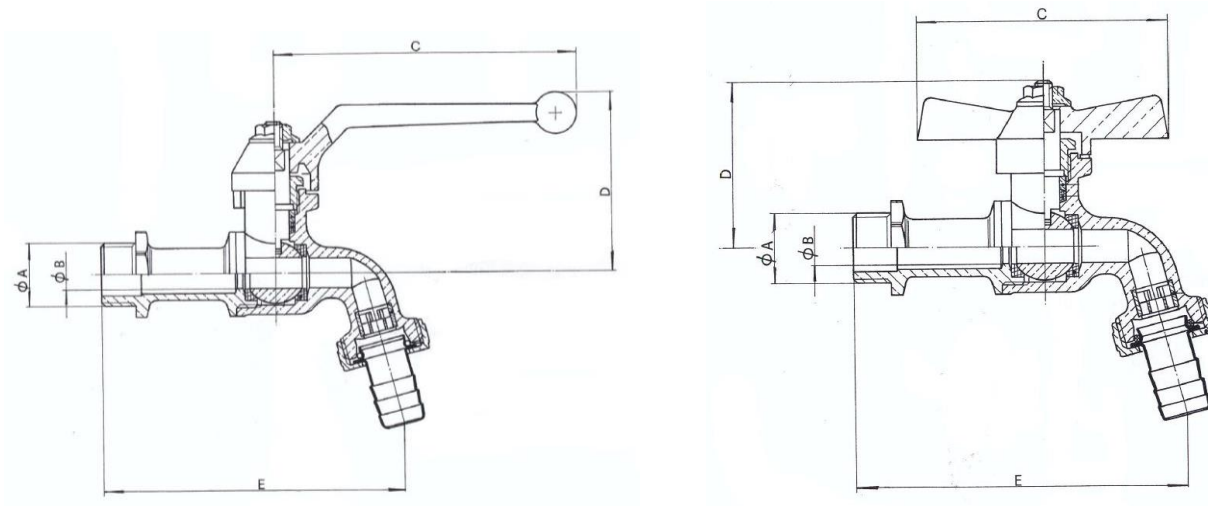
CONSTRUCTION FEATURES

Body	: Nickel-plated brass	Lever or butterfly	: Black painted aluminium
Ball	: Chrome plated brass	Bore	: Full - Heavy Series
Seats	: PTFE		
O-ring	: NBR		
Threaded connections	: M UNI-EN-ISO 228		

TECHNICAL FEATURES

Operating temp.	: -20 ÷ +120°C	Operating fluid	: Water, steam, hydrocarbons
P _{max use}	: 30 bar		

DIMENSIONAL FEATURES



Code	Ø A	Ø B	C [mm]	D [mm]	E [mm]
3255 12NI	1/2"	10	92.0	58.0	97.0
3255 34NI	3/4"	12	92.0	59.0	114.0
3255 10NI	1"	16	117.0	70.0	134.0

Code	Ø A	Ø B	C [mm]	D [mm]	E [mm]
3256 12NI	1/2"	10	74.0	49.0	97.0
3256 34NI	3/4"	12	74.0	50.0	114.0
3256 10NI	1"	16	82.0	59.0	134.0

VALVE INSTALLATION

- a) We recommend installing the valve using suitable tools only;
- b) We recommend installing and tightening the valve using only the sleeve that is in contact with the pipe thread.

SAFETY REGULATIONS AND FIELD OF APPLICATION

- a) Before every installation, check the maximum pressure limit stated on the valve body, referring to the operating temperature at 20 °C.
Example: PN 30, max. pressure 30 bar for water, hazardous and non-hazardous fluids;
- b) The fluid passing through the valve must not contain suspended solids, soiling and/or abrasive substances, that are not compatible with copper and alloys;
- c) No maintenance is required on the valve;
- d) Position the valve shutter (ball) only in closing or in opening. We do not recommend partial opening or closing;
- e) With the use of water and/or liquids in general, the operating temperature must not drop below their freezing point.



RBM spa reserves the right to improve and change the described products and relative technical data at any moment and without prior notice: always refer to the instructions attached with the supplied components; this sheet is an aid, should the instructions be extremely schematic. Our technical department is always at your disposal for any doubt, problem or clarification.



RBM Spa
Via S. Giuseppe, 1
25075 Nave (Brescia) Italy
Tel. 030-2537211 Fax 030-2531798
E-mail: info@rbm.eu - www.rbm.eu